



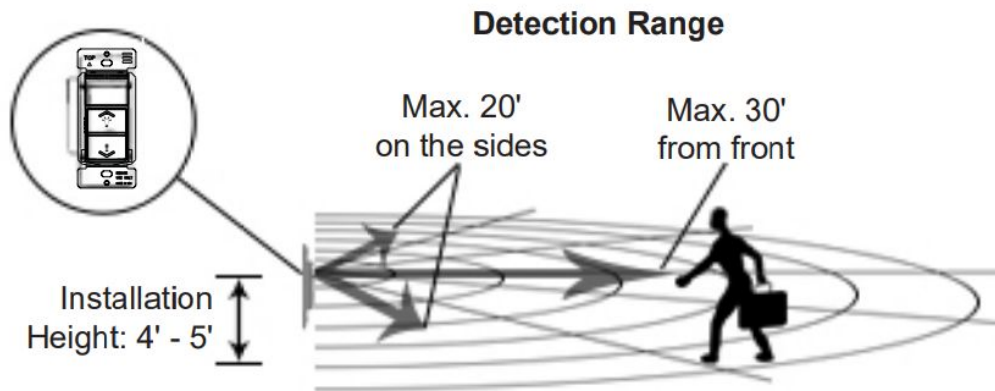
Description

The DLCS-SSN-ELV is a motion sensor wall switch that combines passive infrared (PIR) technology with ELV dimming. The PIR motion sensor features a 180° field of view to provide up to 1200 sq.ft. of coverage area. The sensor has 2 modes and operates lights ON/OFF based on occupancy or vacancy in the area. In occupancy mode, lights turn ON automatically when motion is detected, and turn OFF after no motion has been detected for the pre-selected time delay. In vacancy mode, lights must be turned ON manually, and then will turn OFF automatically after no motion has been detected for the pre-selected time delay. The motion sensor's time delay can easily be adjusted from 15 seconds to 30 minutes. The light level and PIR sensitivity are also adjustable. Two press-buttons allow for easy dimming or brightening of lights. When dimmed lights are turned OFF, the device will "remember" what light level was used last and set the lights to that brightness the next time that they are turned ON. This switch is only compatible with dimmable electronic fluorescent ballasts or dimmable LED drivers. The face cover of this receptacle is interchangeable and can be replaced with alternative colors.

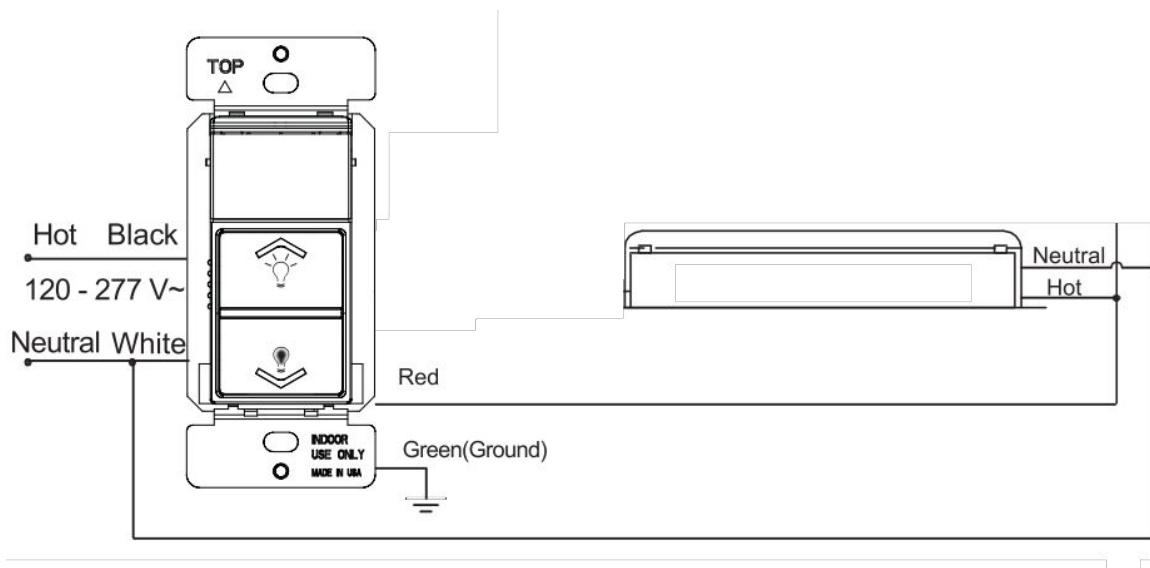
| | |
|-----------------------|--------------------------------------|
| Model Number | DLCS-SSN-ELV |
| Operating Voltage | 120v |
| Load Types | 6A @ 120VAC; 3A @ 277VAC 800VA |
| Dimming Compatibility | ELV |
| Operating Temps | 0-100F |
| Mounting | Wall |
| Sensing Technology | PIR |
| Coverage | 1200 sq. ft |
| Warranty | 5 Year |



Coverage Patterns



Wiring Diagrams



Line Drawings

